

Specification Control Drawing / Kontrolny vykres

ASSEMBLED LED PCB WITH 12x XB-D WHITE LEDs / LED PCB S 12x XB-D BIELYMI LED

Board: PB-II_v03 (partB)
Color shade: 2B0
Minimum luminous flux (lm) @ 350mA: 122
Maximum drive current: up to 1A
Thermal resistance, junction to solder point:
- typical 6.5 °C/W
Maximum junction temperature: 150 °C
Wide viewing angle: 115°
Unlimited floor life at ≤ 30° C/85 % RH
Electrically neutral thermal path
RoHS- and REACH-compliant
LED UL-recognized component (E349212)

ASSEMBLED POWER PCB / VYKONOVA DOSKA

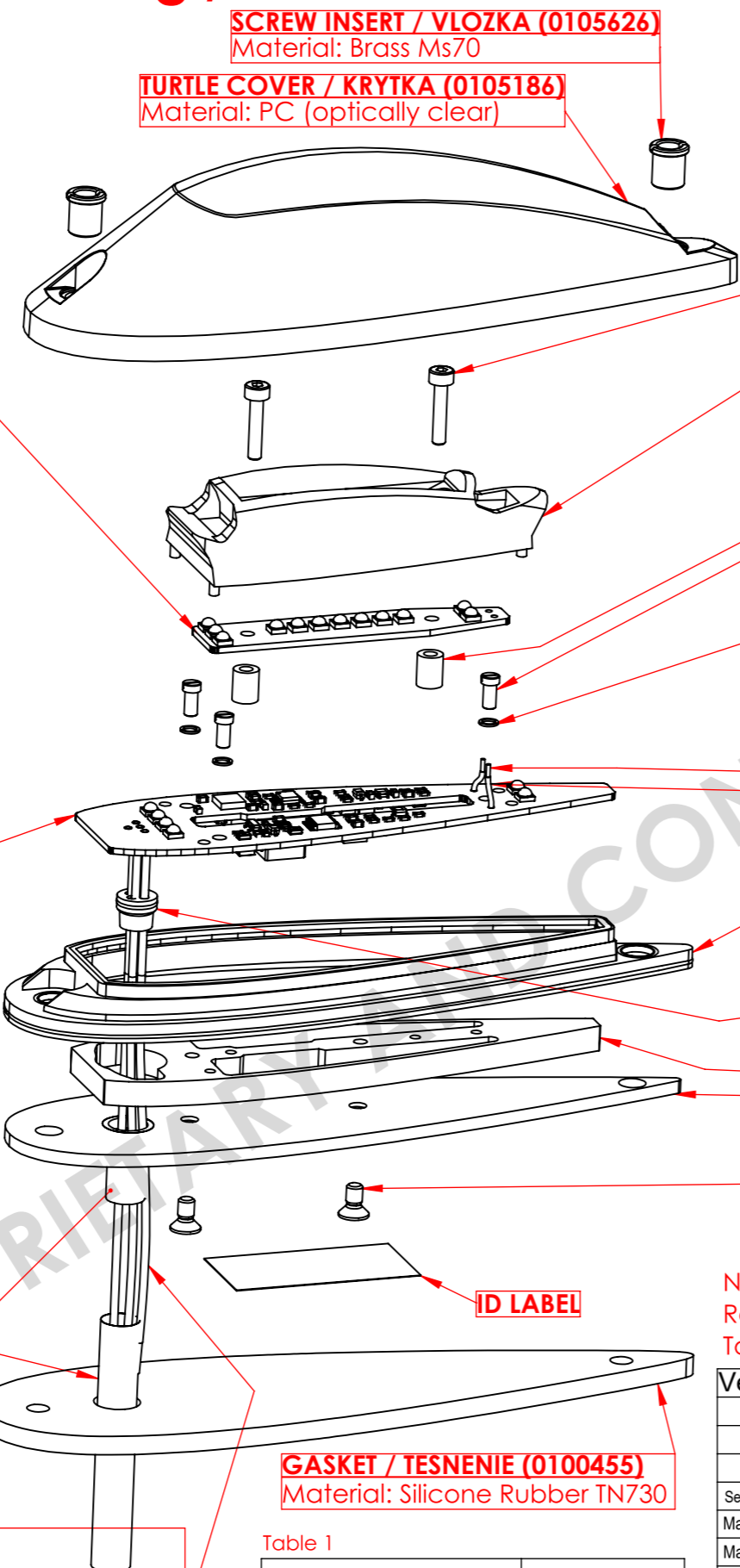
Board: PB-II_v03 (partA) - Green
Voltage range: 9-18V DC
2x XB-D WHITE LED Specification:
Color shade: 2B0
Minimum luminous flux (lm) @ 350mA: 122
Maximum drive current: up to 1A
Thermal resistance, junction to solder point:
- typical 6.5 °C/W
Maximum junction temperature: 150 °C
Wide viewing angle: 115°
Unlimited floor life at ≤ 30° C/85 % RH
Electrically neutral thermal path
RoHS- and REACH-compliant
LED UL-recognized component (E349212)
4x XB-D GREEN LED Specification:
Color shade: G20
Minimum luminous flux (lm) @ 350mA: 107
Maximum drive current: up to 1A
Thermal resistance, junction to solder point:
- typical 11 °C/W
Maximum junction temperature: 150 °C
Wide viewing angle: 135°
Unlimited floor life at ≤ 30° C/85 % RH
Electrically neutral thermal path
RoHS- and REACH-compliant
LED UL-recognized component (E349212)
Main components:
LED Controllers - TPS40211DGO and LT3756
Microcontroller - MSP430G2452IRSA16R
Operating temperature range: -55 °C to +85 °C

WIRES TUBE/ PRIECHODKA (0106705)
Material: Brass Ms70

ADHESIVE HEATSHRINK TUBE
D=6.4mm, L=220mm
Material: Crosslinked Polyolefin

TEFLON WIRES:

Teflon insulation, 500V
Wire length from base of unit 254mm min. [10.00 inch]
VCCP - AWG 20, Positive power supply line for position (RED)
VCCS - AWG 20, Positive power supply line for strobe (YELLOW)
GND - AWG 20, Common negative power supply line (BLACK)
SYNC - AWG 22, Synchronization line (BLUE)



SCREW INSERT / VLOZKA (0105626)
Material: Brass Ms70

TURTLE COVER / KRYTKA (0105186)
Material: PC (optically clear)

SCREW / SKRUTKA M2x10
DIN 912
Material: Stainless steel

REFLECTOR (0104074)
Material: ABS-PC
Chrome plated

**DISTANCE SPACER /
DISTANCNY STLPIK Ø 2.1x5**
Material: Aluminium

SCREW / SKRUTKA M2x4
DIN 920
Material: Stainless steel

WASHER / PODLOZKA (0105184)
Material: Nylon

**INTERCONNECTION PIN /
PREPOJOVACI PIN TCW 22**
Material: Tinned Copper

INSULATION TUBE
Diameter: 0.8 mm
Length: 5 mm
Material: PTFE

SOLID GASKET / TESNIENIE (0106707)
Material: Silicone Rubber

INSIDE RUBBER / TESNIENIE (0106706)
Material: Silicone Rubber

BASE / ZAKLADNA (0105175)
Material: EN AW 6060

BOTTOM PLATE / SPODNY PLECH (0105179)
Material: EN AW 6060
Natural anodizing

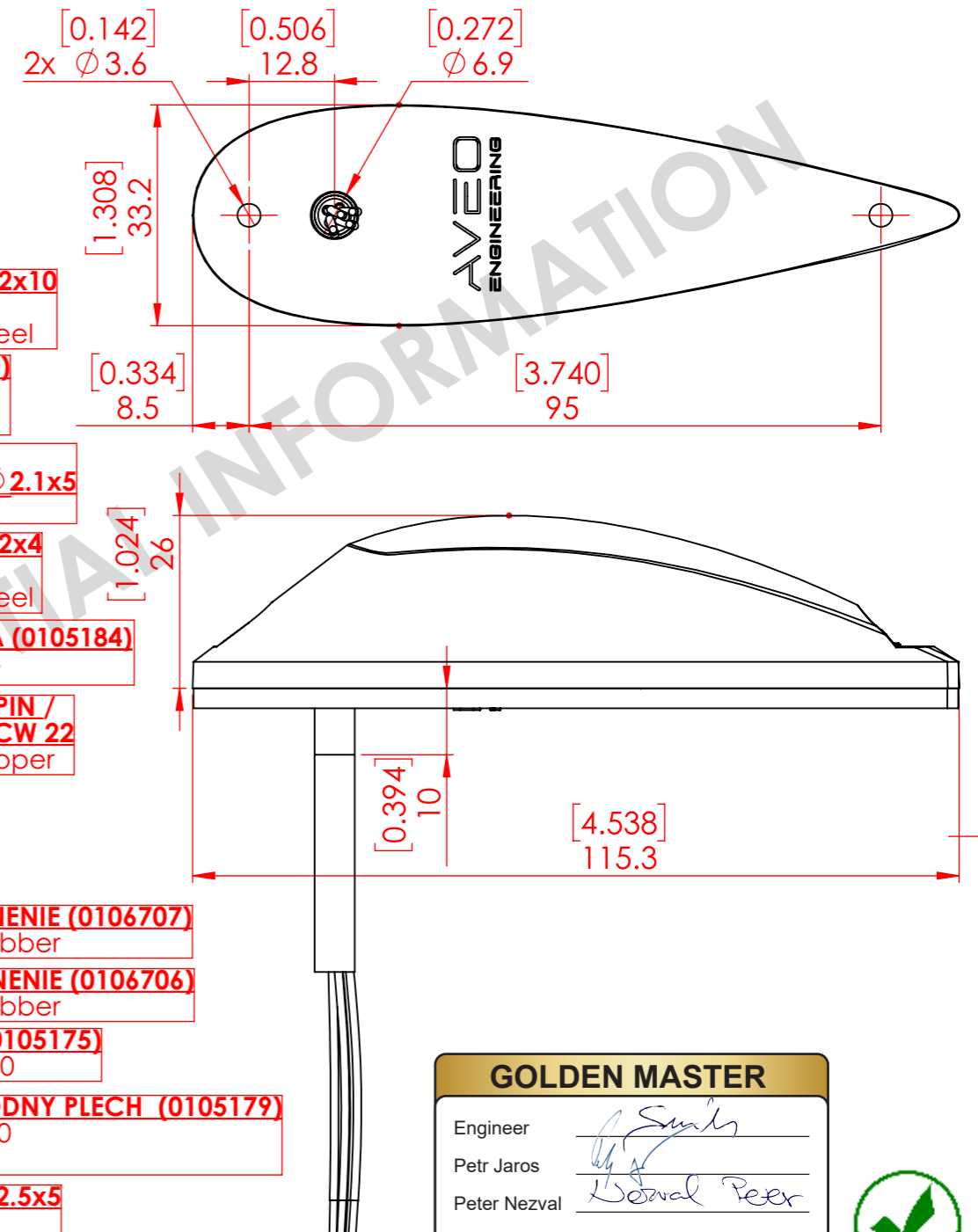
SCREW / SKRUTKA M2.5x5
DIN 965
Material: Stainless steel

GASKET / TESNIENIE (0100455)
Material: Silicone Rubber TN730

Table 1

Part Number	Color of Solid Gasket 0106707
AVE-WPSTG-20D Mod(2)	Black
AVE-WPSTG-2WD Mod(2)	White
AVE-WPSTG-2GD Mod(2)	Green

FOOT PRINT/PODORYS



GOLDEN MASTER

Engineer: *[Signature]*
Petr Jaros
Peter Nezval: *[Signature]*
Date: 25. Jul. 2020

NOTE:

Recommended main attaching screws M3, DIN 7984 with Flat Nylon Washer #4, AVS-90295A359
Torque requirement for main attaching screws is 0.5Nm

Vers-No	Change	Date	Signature
a	Rename	03.08.2018	Suvak
b	Added washer	03.12.2018	Rychnavska
c	Updated Assy	24.Jul.2019	Rychnavska

Semi-Product / Polotov.		T.O.		Weight/Hmot. [kg]		Scale / Mierka	1:1
Material def./vychodzi		Pieces/Kusy		Model Gen.		Assy No. /Cislo zostavy	
Material final/konecny		Techn.Prepared		Model		Position / Pozicia	
Modeled by/Modeloval		Techn.Checked		Leght tol.,Angle tol.	ISO2768mK	STN ISO 128	Sheet / Sheets 1 of 1
Drawn by / Kreslil	Suvak	App. / Schvalil		Vseob. tol. pre zv. konstr.	ISO13920		
Checked by / Kontroloval		Date	16. 1. 2018	9901186			
POWERBURST NG DAYLITE GREEN P/N: see Table 1				Format :A3	DRAWING - NO / ČÍSLO VÝKRESU		C
DESCRIPTION / NÁZOV				TYPE / TYP			Vers - No.