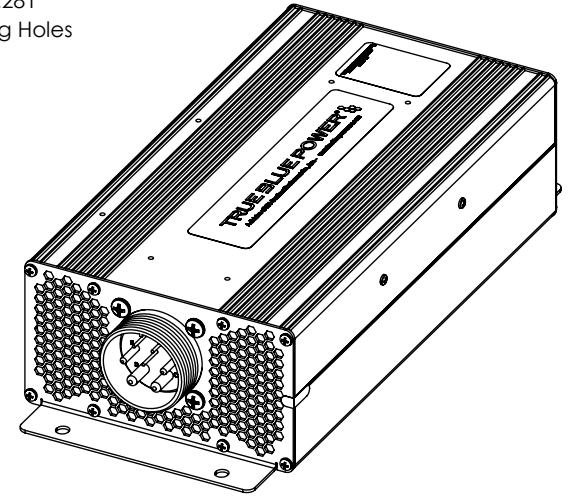
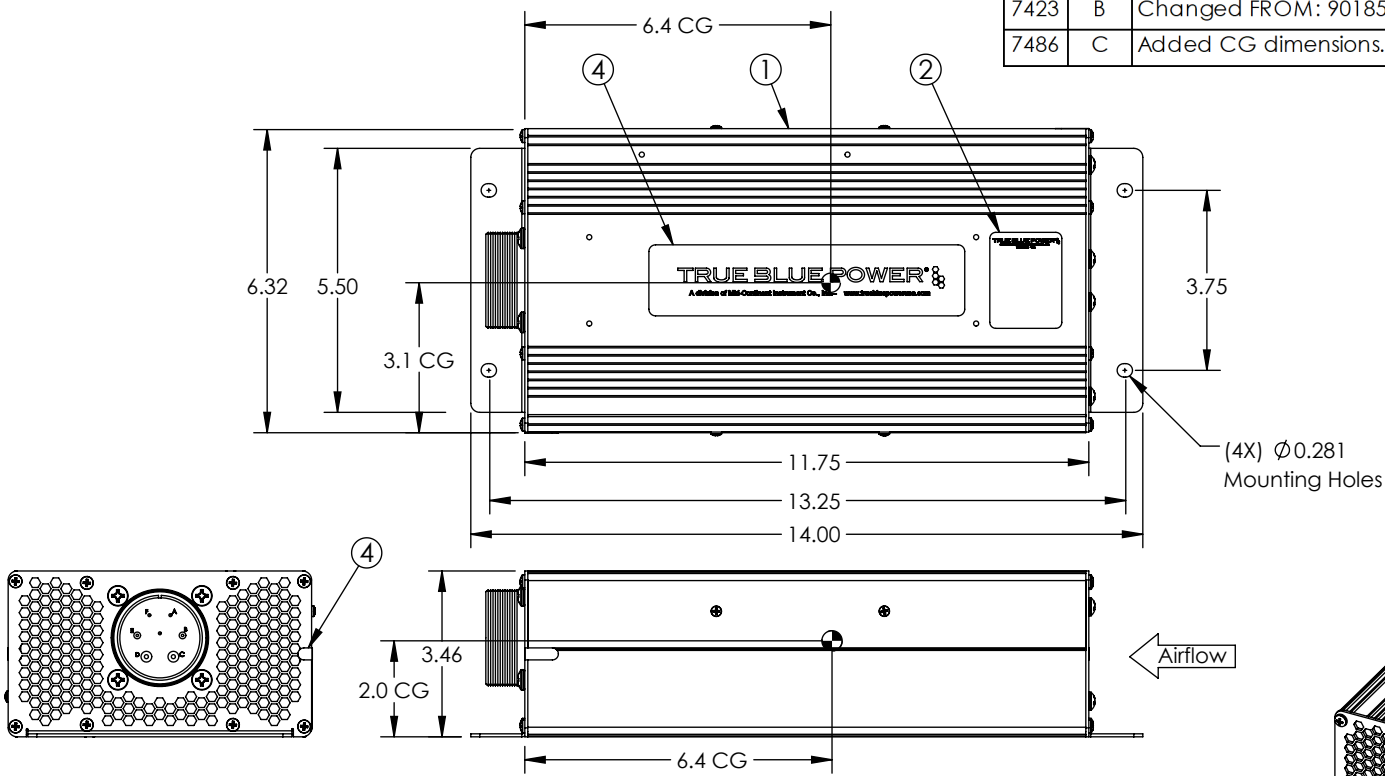


Configuration	
Dash #	
-1	As Shown

Revision				
ECO	Rev.	Description	Date	Approved
	A	Production release.	12/29/17	VAA/BAW
7423	B	Changed FROM: 9018550-2 TO: 9018993-3.	12/03/21	MEK/MKN
7486	C	Added CG dimensions.	05/17/22	Sch/MEK



Specifications	
Model Number	TC2000
Power Input	100-250VAC, 47-800 Hz, 1PH, 21 Amps @ 115 VAC
Power Output	2000 Watts @ 28 VDC ±0.4
Power Factor	-0.95 to +0.95
Features	88-90% Efficient Single Phase Sine Wave, Remote ON/OFF
Protection	Overtemp, Short Circuit, Undervoltage, Overvoltage
Overload	110% for 5 minutes
Weight	9.9 lbs [4.5 kg]
Qualification	FAA TSO-C71 RTCA DO-160G
Temperature	-55°C to +70°C
Altitude	35,000 feet [10668 m]
Mating Connector	TBP P/Ns 9018993-1 and 9018993-3
Case	Anodized Aluminum, Blue

Connector Pinout	
A	Enable
B	AC IN Line
C	28VDC Output
D	28VDC Return
E	AC IN Neutral
F	Sync
G	Chassis GND

Item	Qty	Part Number	Description
1	1	9019070	Assy, Converter, TC2000
2	1	9017130	Label, True Blue Power
3	1	9019053	Nameplate, TC2000
4	2	6018956-1	Decal, Warranty

UNLESS OTHERWISE SPECIFIED, ALL DIMENSIONS ARE IN INCHES. TOLERANCE: .X=±0.065 .XX=±0.015 .XXX=±0.005 .XXXX=±0.002 ANGULAR=±0.5° WEIGHT N.T.E. +5% BREAK ALL SHARP EDGES THREADS PER MIL-S-7742	DRAWN: VAA 12/28/2017	This document discloses proprietary information of Mid-Continent Instrument Co., Inc. It may be reproduced or disclosed only with written permission of Mid-Continent Instrument Co. and is not to be used in any way detrimental to the interests of Mid-Continent Instrument Co., Inc.	 <small>A division of Mid-Continent Instrument Co., Inc.</small>
	APPROVED: BAW 12/29/2017		
SCALE: NONE		DO NOT SCALE THIS DRAWING	SHEET: 1 of 1